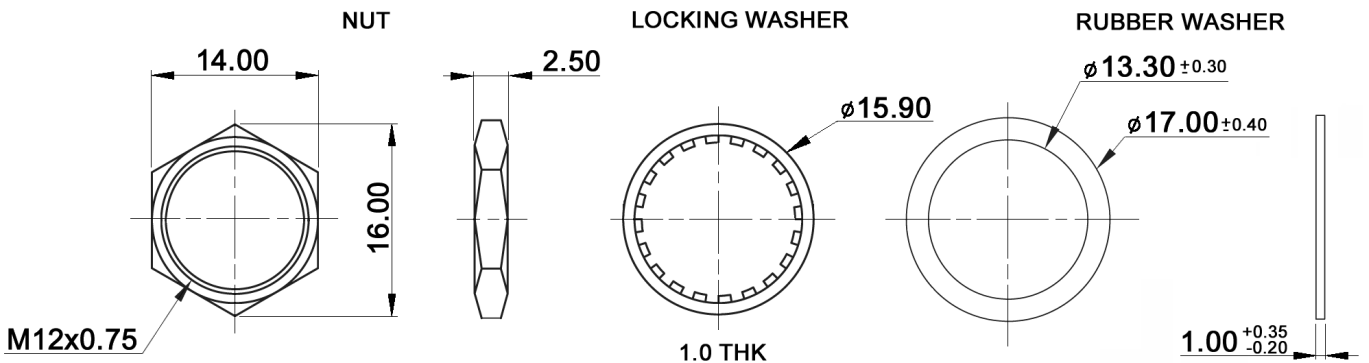


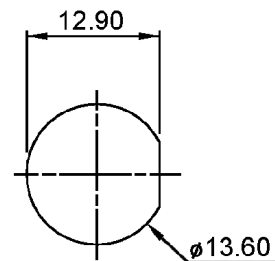
HARDWARE:



SWITCH FUNCTION

Model No.	POS. 1	POS. 2
DPW 1 BG	ON	MOM OFF
Term. Comm.	SHORT	OPEN

PANEL CUT-OUT



Compliance: RohS III (2015/863/EU)

Tolerances: 0.00: ±0.25mm 0.0: ±0.40mm		Date	Name
		03/13	dr
Accessory	10/19	dr	
Modifications	Date	Name	

DPW 1 BG-x

30 28 20

Page

1/2

knitter-switch

Specifications:

Contact rating: max.: 400mA, 32V AC; 100mA, 50V DC; 125mA, 125V AC
 Contact resistance: 50mOhm max.
 Insulation resistance: 1GOhm min. at 500V DC
 Dielectric strength: 1 000V AC
 Operating temperature: -30°C to +85°C
 Mechanical life: 1 000 000 cycles
 Electrical life: 500 000 cycles
 Operating force: 3N +/-1N
 Soldering conditions: 350°C max., 3sec.
 Travel: 1.5mm
 Panel thickness: 1.5mm min.; 4.0mm max.
 Torque: 0.5Nm max. applied to nut
 Water proofing: IP 67
 Material: Case: DAP UL94V-0
 Bushing / cap: polyamide 6/6
 Terminal / contact: gold over silver plated
 IP rating: IP 67 (mounted)

X=CAP COLOR	
W	white
K	black
R	red
O	orange
Y	yellow
G	green
B	blue

Compliance: RohS III (2015/863/EU)

Tolerances: 0.00: ±0.25mm 0.0: ±0.40mm			Date	Name	DPW 1 BG-x
			03/13	dr	
			knitter-switch		30 28 20
Accessory	10/19	dr			Page 2/2
Modifications	Date	Name			